

# ER3-600

**EFORT**

ER3-600,  
Maxium payload 3 kg with maxium reach 593 mm.

## Highlights

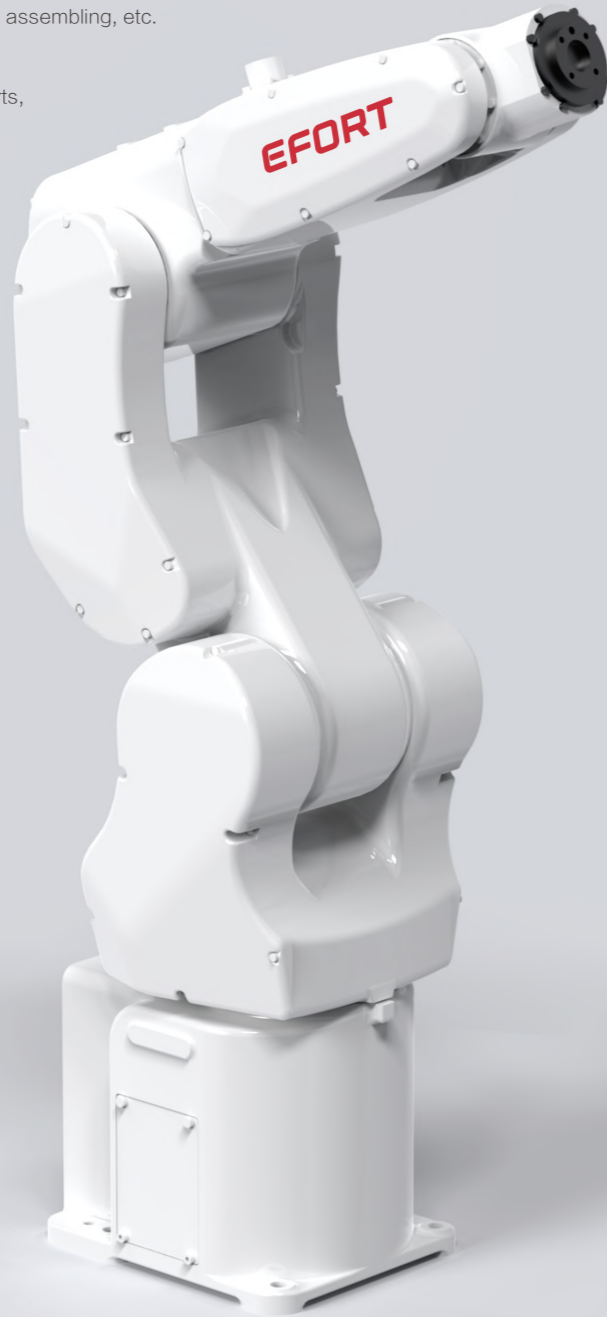
Thanks to its compact structure and built-in cable design, the ER3-600 can be easily integrated and installed, helping customers overcome harsh space installation requirements;  
ER3-600 also has a customized disassembly version for education programs, which can meet the education requirements with intelligent manufacturing focus.

## Applications

It can be used in handling operations, sorting, assembling, etc.

## Industries

Suitable for 3C, food and beverage, metal parts, education, plastic, pharmaceutical and other industries.

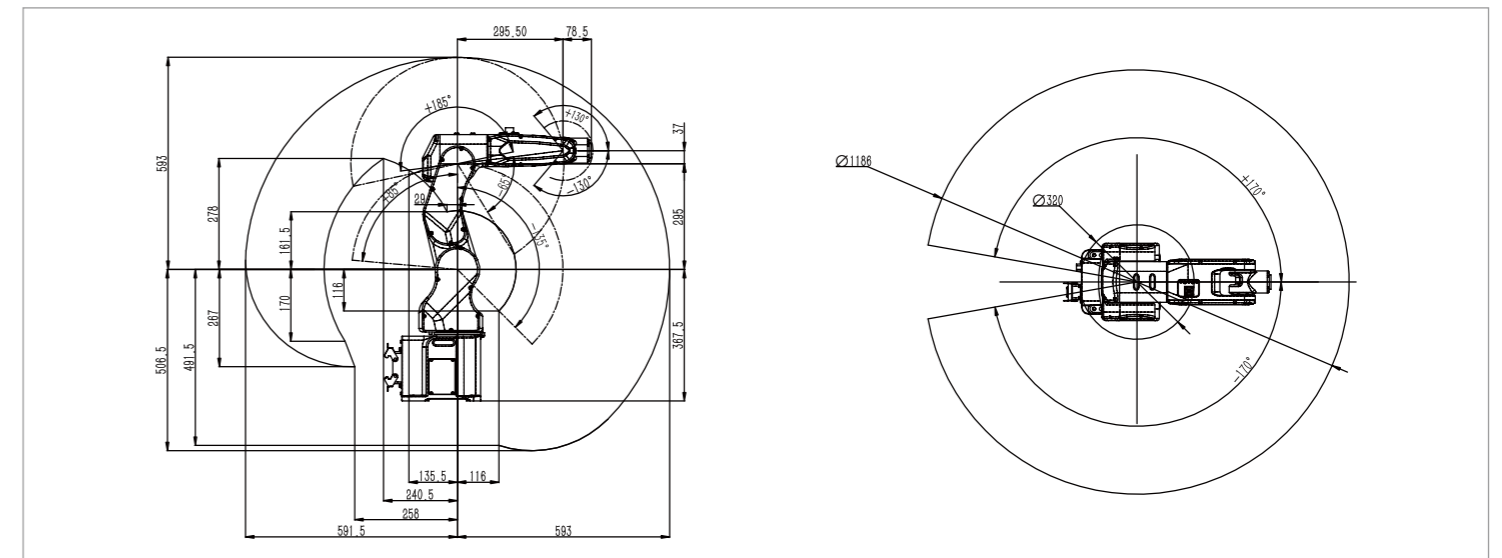


## SPECIFICATIONS

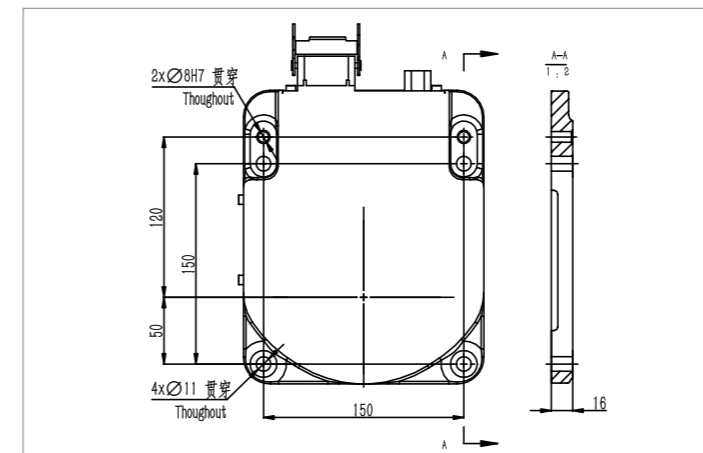
<b>Model</b>	ER3-600	
<b>Type</b>	Articulated	
<b>Controlled axes</b>	6 Axes	
<b>Max. payload on wrist</b>	3 kg	
<b>Repeatability</b>	±0.02 mm	
<b>Robot weight</b>	27 kg	
<b>Reach</b>	593 mm	
<b>Robot IP grade</b>	IP40	
<b>Cabinet IP grade</b>	IP20	
<b>Drive mode</b>	AC servo drive	
<b>Installation</b>	Floor, Upside-down, Wall, Angle	
<b>Installation enviroment</b>	<b>Ambient temperature</b>	0~45 °C
	<b>Ambient humidity</b>	RH≤80% ( No dew nor frost allowed )
	<b>Vibration acceleration</b>	4.9 m/s <sup>2</sup> ( <0.5 G )

<b>Allowable load moment at wrist</b>	<b>J4</b>	4.45 N · m
	<b>J5</b>	4.45 N · m
	<b>J6</b>	2.2 N · m
<b>Allowable load inertia at wrist</b>	<b>J4</b>	0.27 kg · m <sup>2</sup>
	<b>J5</b>	0.27 kg · m <sup>2</sup>
	<b>J6</b>	0.03 kg · m <sup>2</sup>
<b>Maximum speed</b>	<b>J1</b>	400°/sec
	<b>J2</b>	300°/sec
	<b>J3</b>	520°/sec
	<b>J4</b>	500°/sec
	<b>J5</b>	530°/sec
	<b>J6</b>	840°/sec
<b>Motion range</b>	<b>J1</b>	± 170°
	<b>J2</b>	+85°/- 135°
	<b>J3</b>	+185°/-65°
	<b>J4</b>	± 190°
	<b>J5</b>	± 130°
	<b>J6</b>	± 360°

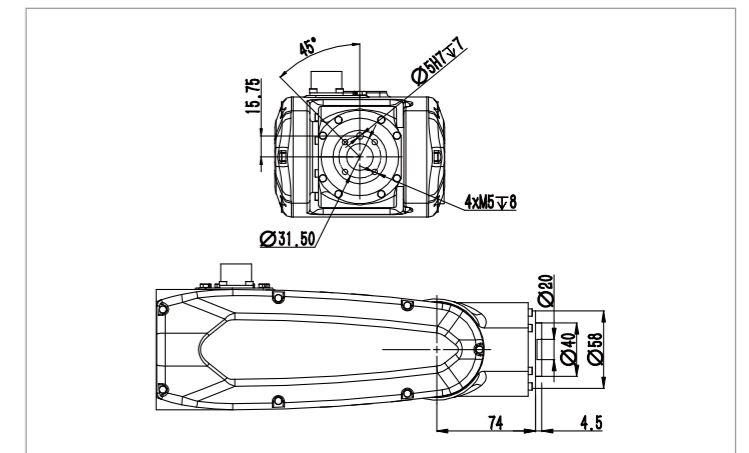
## OPERATING SPACE



## BASE MOUNTING SIZE



## END FLANGE MOUNTING SIZE



**EFORT INTELLIGENT EQUIPMENT CO.,LTD.**

PHONE: (00 86) 400-052-8877

ADDRESS: No.96 East Wanchun Road, China(Anhui) Pilot Free Trade Zone Wuhu Area, Wuhu, Anhui Province, China

WWW.EFORT.COM.CN