

ER7-700

EFORT

ER7-700,

Maxium payload 7 kg with maxium reach 713 mm.

Highlights

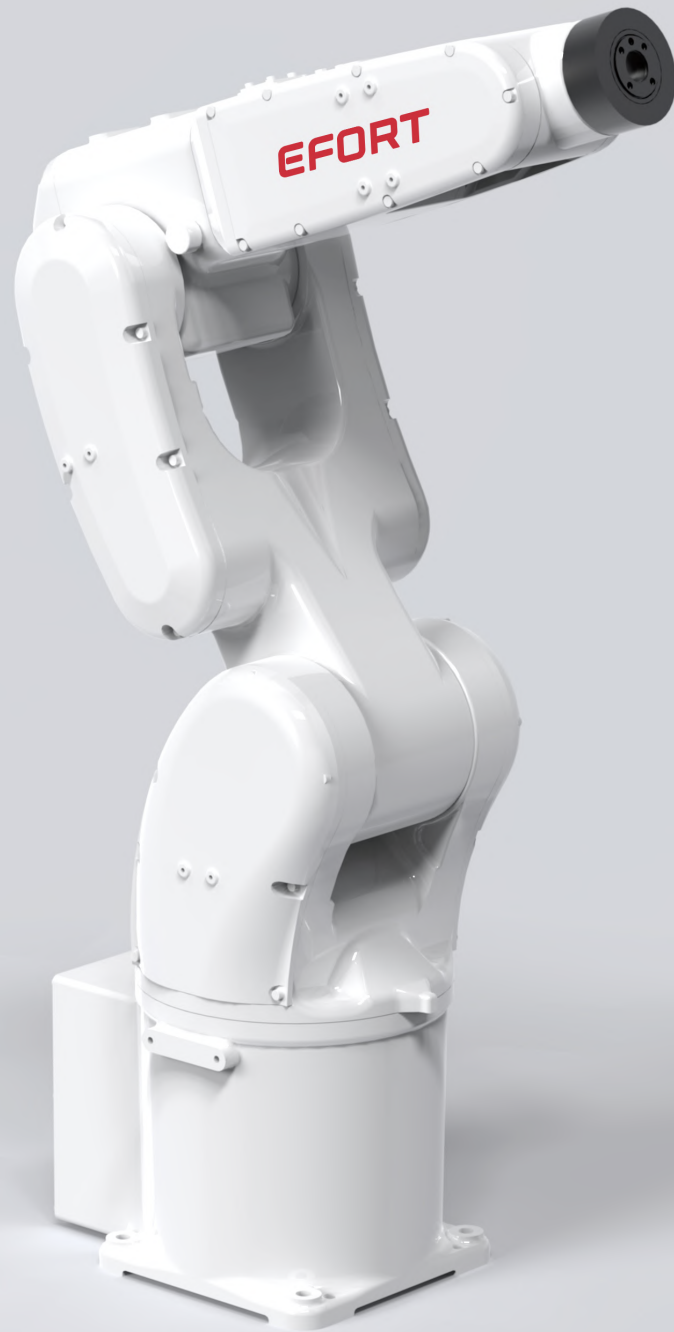
High protection level IP65 of the robor body help customers easy to face dusty, oil misty, high humidity and other harsh environment; Thanks to the high stiffness transmission design and advanced trajectory algorithm, the improved robot accuracy performance helps customers to face variety of application scenarios.

Applications

It can be used in handling operations, sorting, assembling, painting, etc.

Industries

Suitable for 3C, food and beverage, metal parts, education, plastic, pharmaceutical and other industries.

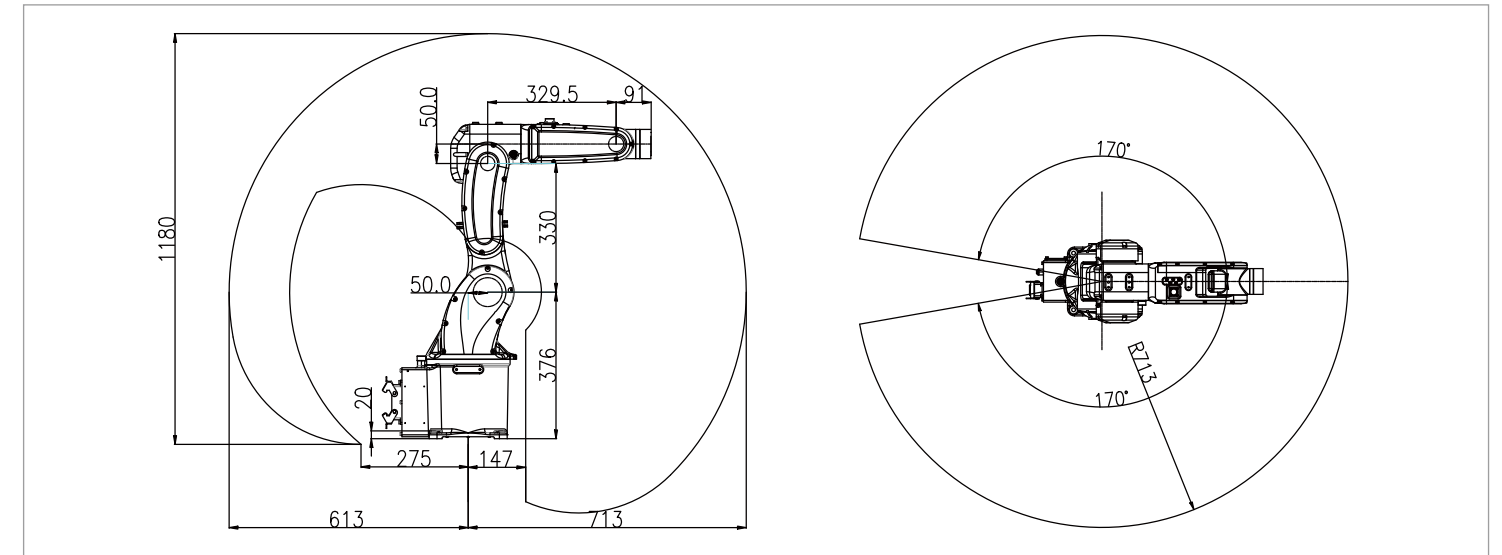


SPECIFICATIONS

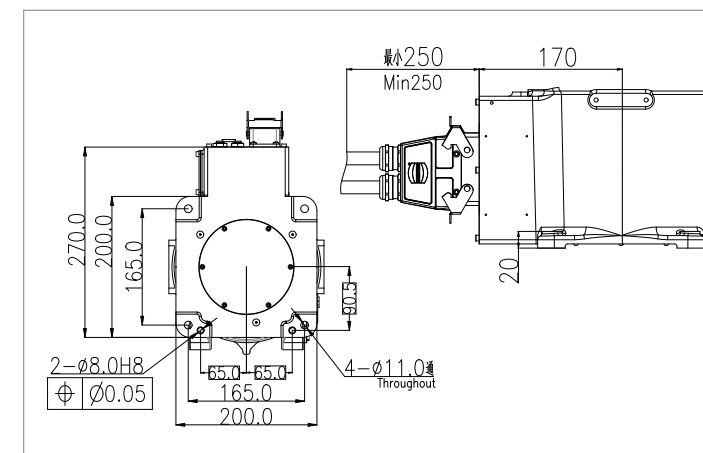
Model	ER7-700	
Type	Articulated	
Controlled axes	6 Axes	
Max. payload on wrist	7 kg	
Repeatability	±0.02 mm	
Robot weight	36 kg	
Reach	713 mm	
Robot IP grade	IP65/IP67 (Wrist)	
Cabinet IP grade	IP20	
Drive mode	AC servo drive	
Installation	Floor, Upside-down, Wall	
Installation enviroment	Ambient temperature	0~45 °C
	Ambient humidity	RH≤80% (No dew nor frost allowed)
	Vibration acceleration	4.9 m/s ² (<0.5 G)

Allowable load moment at wrist	J4	16 N · m
	J5	16 N · m
	J6	9 N · m
Allowable load inertia at wrist	J4	0.45 kg · m ²
	J5	0.45 kg · m ²
	J6	0.14 kg · m ²
Maximum speed	J1	380°/sec
	J2	350°/sec
	J3	400°/sec
	J4	450°/sec
	J5	450°/sec
	J6	720°/sec
Motion range	J1	± 170°
	J2	+80°/- 135°
	J3	+195°/-70°
	J4	± 190°
	J5	± 120°
	J6	± 360°

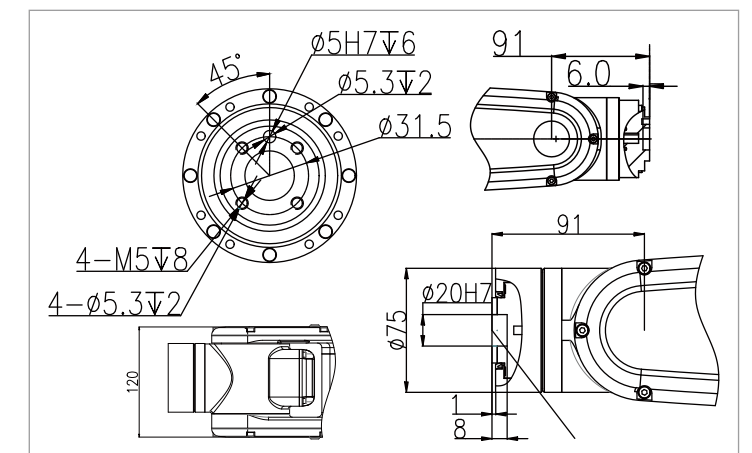
OPERATING SPACE



BASE MOUNTING SIZE



END FLANGE MOUNTING SIZE



EFORT INTELLIGENT EQUIPMENT CO.,LTD.

PHONE: (00 86) 400-052-8877

ADDRESS: No.96 East Wanchun Road, China(Anhui) Pilot Free Trade Zone Wuhu Area, Wuhu, Anhui Province, China

WWW.EFORT.COM.CN